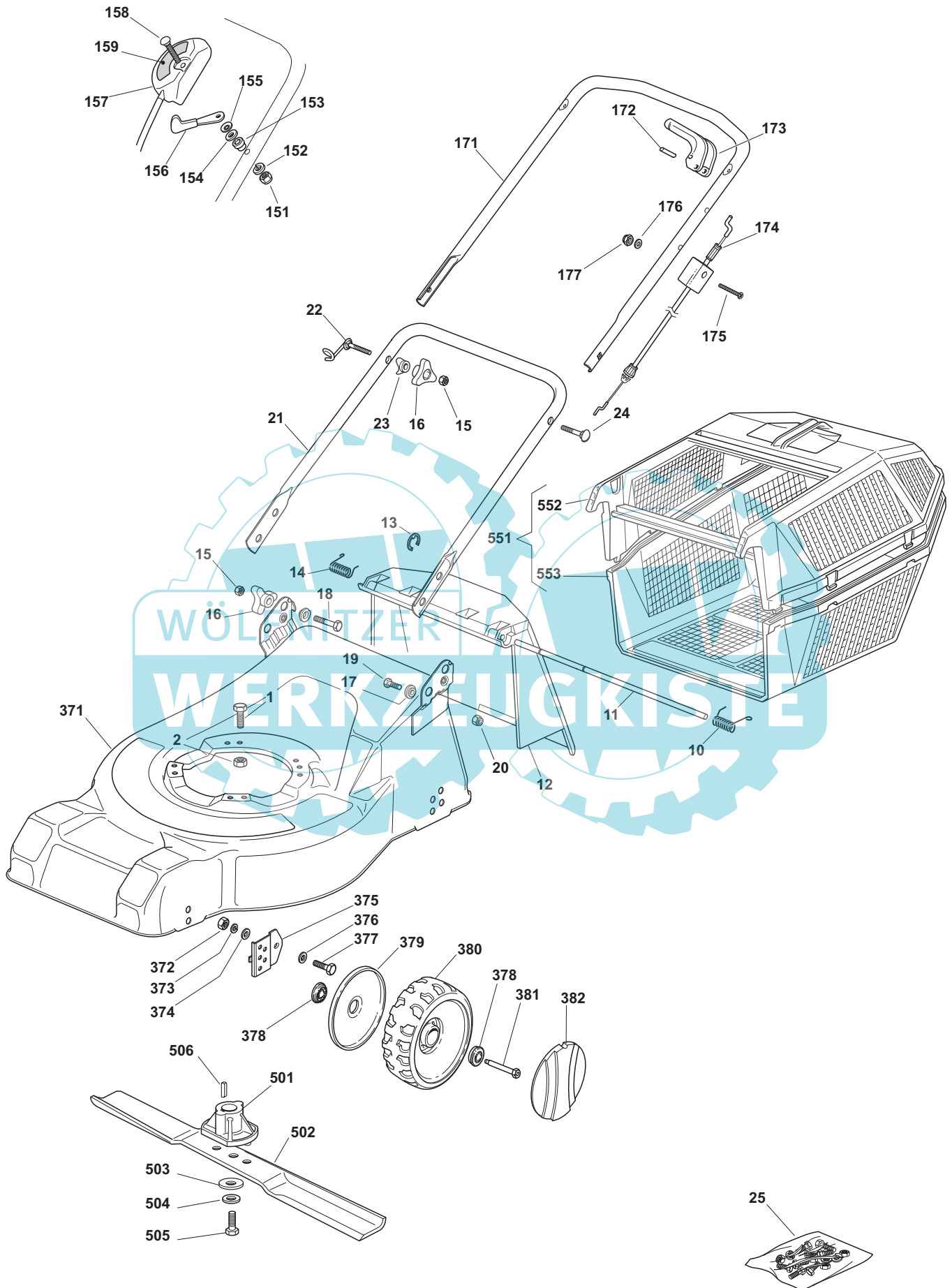


B125



Ausgabe Issue		Bild Nr Picture No		CMI 46 B	CMI 46 B	Seite Page		
2007- 1		B125				10		
Pos. Fig.	Anzahl/Quantity			Artikel Nr. Part No	Bezeichnung	Description	Satz Kit	Anmerkung Notes
1	1			22108271/0	Leitblech- vordere.....	Conveyor- front.....		
2	6			12728686/0	Schraube.....	Screw.....		
3	1			18737854/1	Propfen.....	Cap.....		
4	1			22109532/0	Deckel.....	Cover.....		
5	1			22108272/2	Leitblech- hintere.....	Conveyor- rear.....		
6	4			22131750/0	Mutter.....	Nut.....		
7	2			12728686/0	Schraube.....	Screw.....		
8	1			22785136/1	Halter.....	Support.....		
9	1			22517858/0	Achse.....	Shaft.....		
10	1			22450431/0	Feder.....	Spring.....		
11	1			22600099/0	Klappe.....	Flap.....		
12	3/2			12793701/0	Schraube.....	Screw.....		
13	3/2			12293201/0	Mutter.....	Nut.....		
14	0/1			12691800/0	Schraube.....	Screw.....		
15	0/1			12521350/0	Scheibe.....	Washer.....		
16	0/1			12155000/0	Mutter.....	Nut.....		
25	4			12760605/0	Schraube.....	Screw.....		
26	4			12521350/0	Scheibe.....	Washer.....		
27	1			81006570/0	Holm- Unterteil.....	Handle- lower.....		
28	1			81003801/1	Seilhalter.....	Rope holder.....		
29	2			22680006/1	Scheibe.....	Washer.....		
30	2			22399804/0	Schließrad.....	Locking knob.....		
31	2			12293200/0	Mutter.....	Nut.....		
32	1			12819201/0	Schraube.....	Screw.....		
33	1			81008648/1	Schraubensatz.....	Screw set.....		
34	1			22140226/0	Mulching Deflektor.....	Mulch plug.....		
91	1			81006577/0	Holm- Oberteil.....	Handle- upper.....		
92	1			12674700/0	Schraube.....	Screw.....		
93	1			81000655/0	Motorbremsdraht.....	Engine brake cable.....		
94	1			12521330/0	Scheibe.....	Washer.....		
95	1			12292100/0	Mutter.....	Nut.....		
96	1			12645710/0	Stift.....	Pin.....		
97	1			22321700/0	Griff.....	Control handle.....		
251	1			81002532/0	Chassie- grün.....	Chassis- green.....		
252	2			22551523/0	Radplatte.....	Wheel plate.....		
253	4			12728686/0	Schraube.....	Screw.....		
254	2			22600095/0	Radschutz.....	Wheel protection.....		
255	8			22034515/1	Buchse.....	Bushing.....		
256	2			22686091/1	Rad.....	Wheel.....		
257	4			22524340/0	Radbolzen.....	Wheel bolt.....		
258	2			22110252/1	Radkappe.....	Hub cap.....		
259	1			22033366/0	Radachse.....	Wheel shaft.....		
260	2			22551525/0	Radplatte.....	Wheel plate.....		
261	2			22686092/0	Rad.....	Wheel.....		
262	2			22110251/0	Radkappe.....	Hub cap.....		
501	1			1111- 9743- 01	Nabe.....	Hub.....		
502	1			1111- 9740- 01	Messer.....	Blade.....		
503	1			22160400/0	Scheibe.....	Elastic washer.....		
504	1			12523080/0	Scheibe.....	Washer.....		
505	1			12735698/0	Schraube.....	Screw.....		
506	1			12139100/0	Keil.....	Key.....		
601	1			22486122/0	Oberteil- Grassfänger.....	Grassbox- upper.....		
602	1			22486128/0	Unterteil- Grassfänger.....	Grassbox- lower.....		
603	2			12728686/0	Schraube.....	Screw.....		



B096A



Ausgabe Issue		Bild Nr Picture No		CMI 46 B		CMI 46 B		Seite Page	
2007- 1		B096A						12	
Pos. Fig.	Anzahl/Quantity				Artikel Nr. Part No	Bezeichnung	Description	Satz Kit	Anmerkung Notes
1	0/1			12691800/0	Schraube .....	Screw .....			
1	3/2			12793701/0	Schraube .....	Screw .....			
2	0/1			12155000/0	Mutter .....	Nut .....			
2	3/2			12293201/0	Mutter .....	Nut .....			
10	1			22450420/1	Feder- links .....	Spring- LH .....			
11	1			22517906/1	Achse .....	Pivot shaft .....			
12	1			22600028/4	Prallblech .....	Stone guard .....			
13	1			12000930/0	Sprengring .....	Snap ring .....			
14	1			22450410/1	Feder- rechts .....	Spring- RH .....			
15	4			12293200/0	Mutter .....	Nut .....			
16	4			22399900/0	Schloßrad .....	Locking knob .....			
17	4			22041955/0	Buchse .....	Bush .....			
18	2			12793700/0	Schraube .....	Screw .....			
19	2			12792610/0	Schraube .....	Screw .....			
20	2			12155000/0	Mutter .....	Nut .....			
21	1			81006512/0	Holm- Unterteil .....	Handle- lower .....			
22	1			81003801/1	Seilhalter .....	Rope holder .....			
23	2			22680006/1	Scheibe .....	Washer .....			
24	1			12819201/0	Schraube .....	Screw .....			
25	1			81008614/3	Schraubensatz .....	Screw set .....			
151	1			12291000/0	Mutter .....	Nut .....			
152	1			12581500/0	Schloßscheibe .....	Washer .....			
153	1			22171005/0	Distanz .....	Spacer .....			
154	1			12521360/0	Scheibe .....	Washer .....			
155	1			12508100/0	Schloßscheibe .....	Washer .....			
156	1			81007220/0	Gashebel .....	Throttle lever .....			
157	1			81007080/0	Gasdraht .....	Throttle cable .....			
158	1			12815000/0	Schraube .....	Screw .....			
159	1			14356702/0	Aufkleber .....	Label .....			
171	1			81006547/1	Holm- Oberteil .....	Handle- upper .....			
172	1			12645710/0	Stift .....	Pin .....			
173	1			22321700/0	Griff .....	Control handle .....			
174	1			81000715/1	Motorbremsdraht .....	Engine brake cable .....			
175	1			12674700/0	Schraube .....	Screw .....			
176	1			12521330/0	Scheibe .....	Washer .....			
177	1			12292100/0	Mutter .....	Nut .....			
371	1			81002408/0	Chassie- grün .....	Chassis- green .....			
372	4			12293200/0	Mutter .....	Nut .....			
373	4			12583500/0	Schloßscheibe .....	Washer .....			
374	4			12523070/0	Scheibe .....	Washer .....			
375	4			22551515/0	Radplatte .....	Wheel plate .....			
376	4			12521350/0	Scheibe .....	Washer .....			
377	4			12793102/0	Schraube .....	Screw .....			
378	8			22034515/1	Buchse .....	Bushing .....			
379	4			22600095/0	Radschutz .....	Wheel protection .....			
380	4			22686091/1	Rad .....	Wheel .....			
381	4			22524340/0	Radbolzen .....	Wheel bolt .....			
382	4			22110252/1	Radkappe .....	Hub cap .....			
501	1			1111- 9743- 01	Nabe .....	Hub .....			
502	1			1111- 9740- 01	Messer .....	Blade .....			
503	1			22160400/0	Scheibe .....	Elastic washer .....			
504	1			12523080/0	Scheibe .....	Washer .....			
505	1			12735698/0	Schraube .....	Screw .....			
506	1			12139100/0	Keil .....	Key .....			
551	1			98005000/1	Graskorb kpl. ....	Grassbox assy. ....			
552	1			22486076/0	• Graskorb- obere .....	• Grassbox- upper .....			
553	1			22486077/0	• Graskorb- untere .....	• Grassbox- lower .....			

Inkl. 552 - 553